

Technical Data Sheet

Compressor model **HLY90AAa**
 Voltage **220-240V 50Hz ~1**
 Refrigerant **R600a**

APPLICATION

Application	Low Back Pressure
Refrigerant	R600a
Evaporating Temp.	-35,0 to -10,0
Expansion	Capillar
Comp. Cooling	Static
Max. ambient temp.	43,0

COMPRESSOR

Displacement	9,09 cm ³
Diameter	24,29 mm
Stroke	19,62 mm
Net Weight	9,50 Kg
Oil type	ISO VG 10 MINER
Oil charge	345 cm ³

MOTOR

Approximate Power	1/6 hp
Voltage/Frequency	220V 50Hz
Voltage range	187-264 V
Type	RSIR
Phase number	1 P
Locked rotor current	9,30 A
Main W. resist. at 25°C	17,64
Start W. resist. at 25°C	21,62

NOMINAL PERFORMANCE

	ASHRAE	CECOMAF
Cooling Capacity	125 kcal/h	109 W
COP	1,41 W/W	1,10 W/W
EER	1,21 kcal/Wh	0,95 kcal/Wh
Input Power	103 W	99 W
Current	0,71 A	0,69 A

APPROVALS



TEST CYCLE CONDITIONS

	ASHRAE LBP (B)	CECOMAF LBP (A)
Evaporating temp.	-23,3 °C	-25,0 °C
Condensing temp.	55,0 °C	55,0 °C
Liquid temp.	32,0 °C	55,0 °C
Ambient temp.	32,0 °C	32,0 °C
Suction temp.	32,0 °C	32,0 °C
Voltage/Frequency	220 V 50 Hz	220 V 50 Hz

ELECTRICAL COMPONENTS

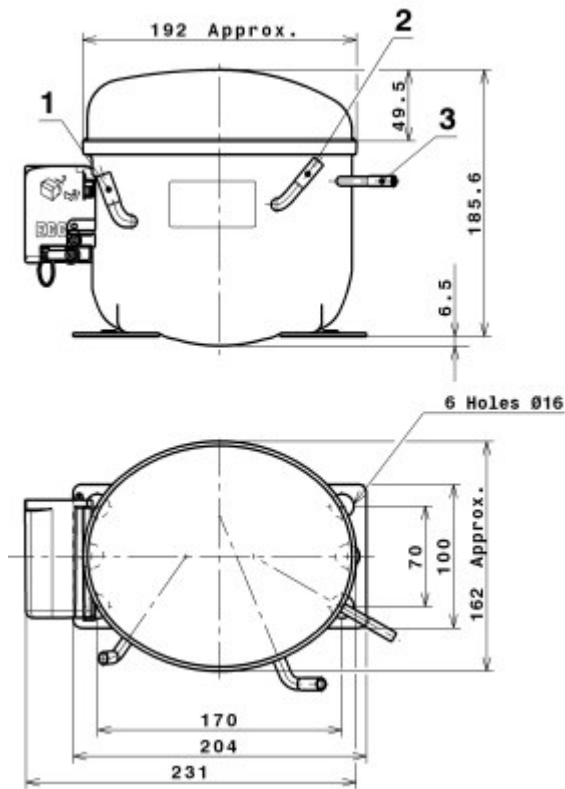
	Option 1	Option 2	Option 3	Option 4
Relay	Option 1			
Reference	PTC K100			
Voltage	200 - 240 V			
Resistance	14,00			
Protector	Option 1	Option 2	Option 3	Option 4
Reference	MSP331LZ	4TM222NFBYY	T0366	AE37FJ
Current	6,20 A	7,00 A	6,80 A	5,90 A
Time check	7,5-14 seg	5-15 seg	7,5-14 seg	7,5-14 seg
Disc temp. (Open/Close)	120,00 / 61,00 °C	120,00 / 61,00 °C	120,00 / 62,00 °C	115,00 / 62,00 °C

ASHRAE

Tc	Te	Cooling Capacity kcal/h	Consumption W	Current A	COP W/W	EER kcal/Wh
40	-35	83	82	0,64	1,18	1,01
40	-30	103	89	0,66	1,33	1,15
40	-25	130	99	0,69	1,53	1,32
40	-20	166	110	0,74	1,75	1,50
40	-15	209	124	0,79	1,97	1,69
40	-10	261	139	0,86	2,18	1,88
45	-35	79	80	0,63	1,14	0,98
45	-30	98	88	0,66	1,29	1,11
45	-25	125	99	0,69	1,47	1,26
45	-20	160	111	0,74	1,68	1,44
45	-15	203	125	0,80	1,88	1,62
45	-10	254	142	0,87	2,09	1,80
50	-35	74	78	0,63	1,11	0,95
50	-30	93	87	0,66	1,24	1,06
50	-25	120	99	0,69	1,41	1,21
50	-20	154	112	0,74	1,60	1,38
50	-15	197	127	0,81	1,80	1,55
50	-10	248	144	0,89	2,00	1,72
55	-35	70	76	0,62	1,07	0,92
55	-30	88	86	0,65	1,19	1,02
55	-25	114	98	0,69	1,35	1,16
55	-20	148	113	0,75	1,53	1,32
55	-15	191	129	0,81	1,72	1,48
55	-10	241	147	0,90	1,91	1,64
60	-35	66	74	0,61	1,03	0,89
60	-30	83	85	0,65	1,14	0,98
60	-25	109	98	0,69	1,29	1,11
60	-20	143	113	0,75	1,46	1,26
60	-15	185	131	0,82	1,64	1,41
60	-10	234	150	0,91	1,82	1,57

Technical Data Sheet

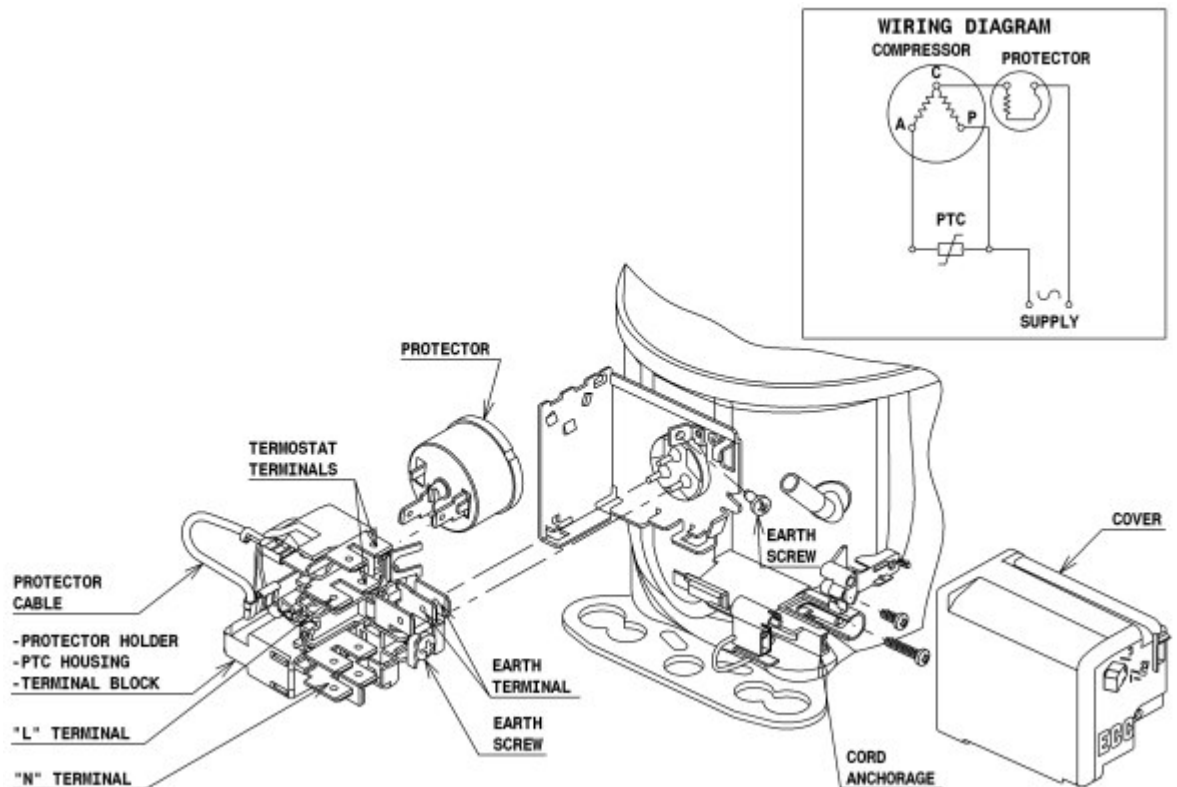
COMPRESSOR DIMENSIONS



DESIGNATION	INTERNAL DIAM.
1 Suction	6,5 mm
2 Service	6,5 mm
3 Discharge	4,9 mm

WIRING DIAGRAMS AND ELECTRICAL ASSEMBLY

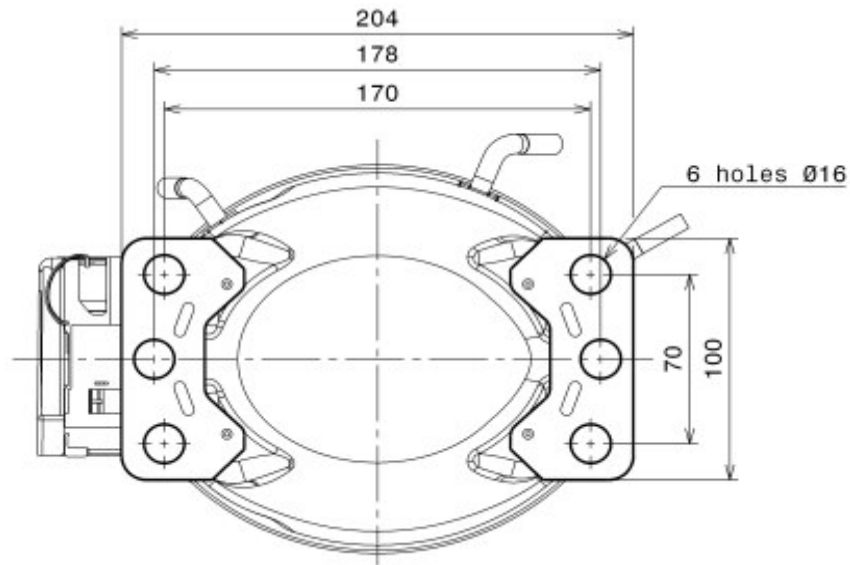
RSIR CONNECTION (PTC)



Technical Data Sheet

FIXINGS

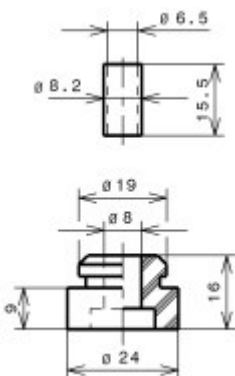
European mounting feet



SILENT BLOCKS (MOUNTING ACCESSORIES)

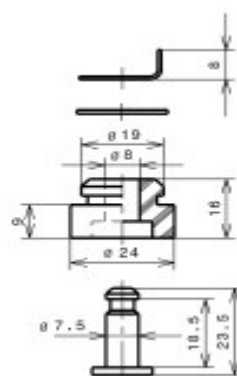
STANDARD

D.16 holds net (170x70)



SNAP-ON

D.16 holds net (170x70)



SOA

SOA R600a LBP

